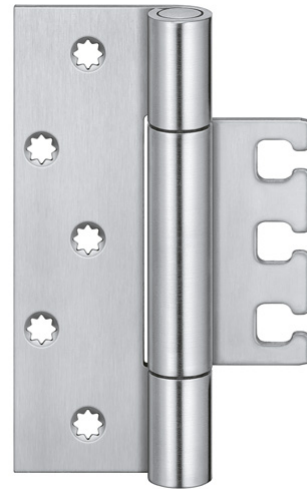


VX 7729/160-4 x 4" K Kit

For high performance commercial doors



Product features

- Maintenance-free slide bearings
- For hollow metal frames and wood doors
- UL listed for 180 minute fire door
- Easily adjustable in three dimensions (side +/- 3.0 mm (0.118"), height +/- 3.0 mm (0.118"), compression +/- 3.0 mm (0.118"))

Technical information

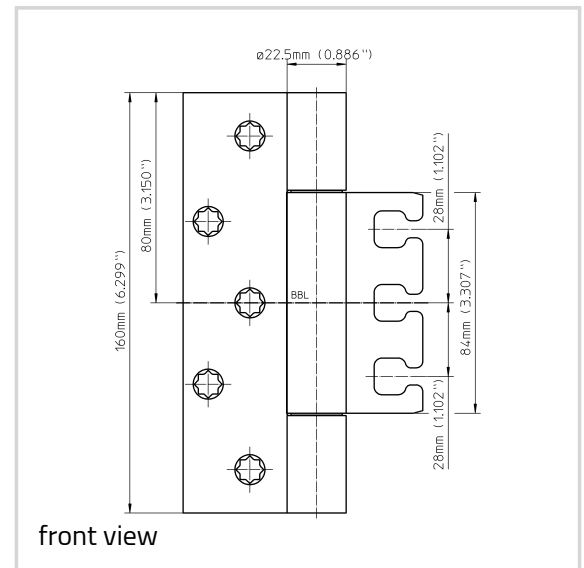
Detail	Value	
Load capacity	661.0 lbs	300.0 kg
Knuckle diameter	0.886 "	22.5 mm
Length (door part)	6.299 "	160.0 mm
Router bit diameter		24.0 mm
Collar ring diameter		30.0 mm
Material thickness	0.157 "	4,0 mm
Screws	#12 "	5.0 x 50.0 mm

Note

Quality marks



Certification UL (Canada)



VARIANT VX - VX 7729/160-4 x 4" K Kit

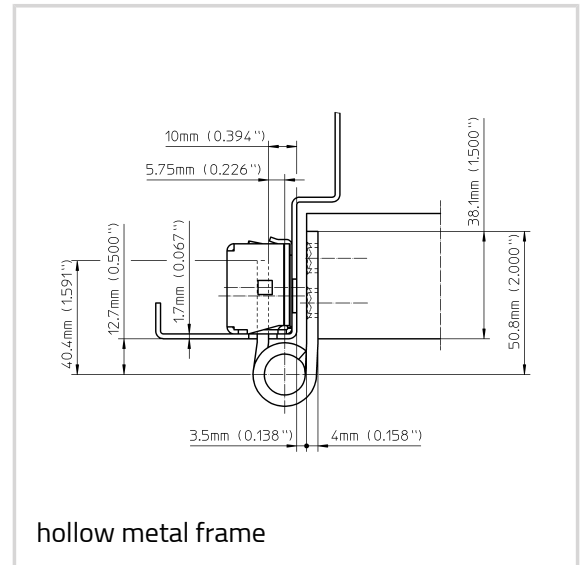
The load capacity mentioned above refers to the use of 2 hinges per door leaf (height : width ratio 2:1).

Receiver for wood and aluminum doors available upon request.

NRP version available upon request.

A reinforcement for steel door is available upon request.

Alternatively, the routing can be carried out with a cutter diameter of 3/4" and a collar ring diameter of 1" for imperial templates.



Suitable for

Universal milling frame

Template 5 251103 5

Function range



Fire Resistant



Smoke Resistant

Kit consists of

VX 7729/160-4x 4" K

For high performance commercial doors

- For hollow metal frames and wood doors
- Maintenance-free slide bearings
- Easily adjustable in three dimensions (side +/- 3.0 mm (0.118"), height +/- 3.0 mm (0.118"), compression +/- 3.0 mm (0.118"))
- UL listed for 180 minute fire door

VX 7511 3D (incl. Cover plate)

For doors with steel frames/doors

Item

VARIANT VX - VX 7729/160-4 x 4" K Kit

Finish(es)	Satin Stainless Steel (040)
OF-NR.	040
VPE	pack of 2
DIN	non-handed
Item No.	5 051706 0 04002
EAN	4015471121921