

VN 2927/4-1/2" x 4-1/2" Compact Kit

For high performance commercial doors



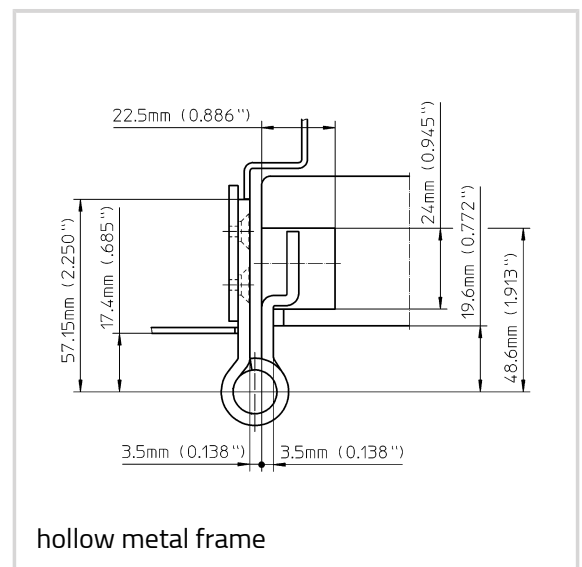
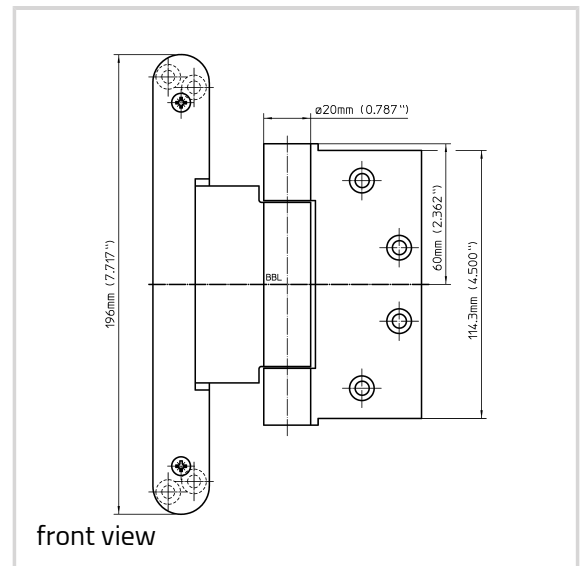
Product features

- Maintenance-free slide bearings
- Easily adjustable in three dimensions (side +/- 3.0 mm (0.118"), height +/- 3.0 mm (0.118"), compression +/- 1.0 mm (0.039"))
- Fits to existing standard frame prep of 4-1/2" x 4-1/2" butt hinge
- For hollow metal frames and wood doors

Technical information

Detail	Value	
Load capacity	264.0 lbs	120.0 kg
Knuckle length	4.724 "	120.0 mm
Knuckle diameter	0.787 "	20.0 mm
Router bit diameter		24.0 mm
Collar ring diameter		30.0 mm
Material thickness	0.138 "	3.5 mm
Screws	#12 "	5.0 x 50.0 mm

Note



VARIANT VN - VN 2927/4-1/2" x 4-1/2" Compact Kit

The load capacity mentioned above refers to the use of 2 hinges per door leaf (height : width ratio 2:1).

Alternatively, the routing can be carried out with a cutter diameter of 3/4" and a collar ring diameter of 1" for imperial templates.

Item

Finish(es)	Satin Stainless Steel (040)
OF-NR.	040
VPE	pack of 2
DIN	non-handed
Item No.	5 040790 0 04002
EAN	4015471113971