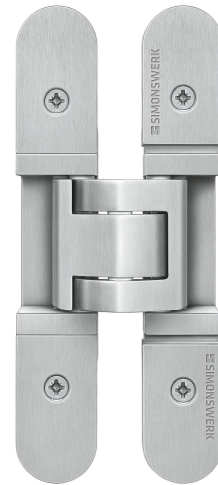


TE 526 3D

Manufactured of solid stainless steel for commercial doors



Product features

- Completely concealed hinge system
- Maintenance-free slide bearings
- For wood, steel or aluminum door panels and frames
- Finger protection due to a small gap between door and frame
- Easily adjustable in three dimensions (side +/- 3.0 mm (0.118"), height +/- 3.0 mm (0.118"), compression +/- 1.0 mm (0.039"))
- For flush commercial doors
- Solid non magnetic stainless steel (304 series) (marine grade 316 series upon request)
- UL listed for 180 minute fire door

Technical information

Detail	Value	
Load capacity	264.0 lbs	120.0 kg
Overall length	6.102 "	155.0 mm
Width (door part)	1.024 "	26.0 mm
Width (frame part)	1.024 "	26.0 mm
Router bit diameter		24.0 mm
Collar ring diameter		30.0 mm
Opening angle	180°	180°

Quality marks



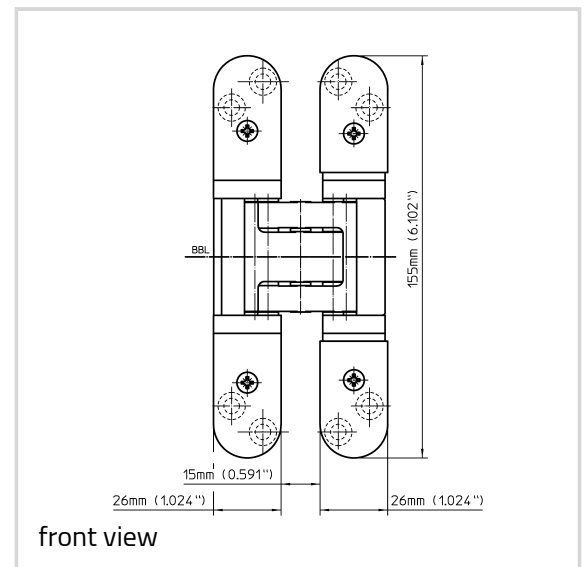
Certification CE



Certification UL



Certification UL (Canada)



TECTUS - TE 526 3D

Note

The load capacity mentioned above refers to the use of 2 hinges per door leaf with a height/width ratio of 2:1.

For fire rated doors: Check with door manufacturer regarding the usage of additional required intumescent material.

Square-corner cover plates are available upon request.

For a minimum door panel thickness of 34 mm (1-3/8").

The load capacity shall be reduced by 20% when installed in combination with a door closer.

Alternatively, the routing can be carried out with a cutter diameter of 3/4" and a collar ring diameter of 1" for imperial templates.

Suitable for

Universal milling frame	
Drilling jig TECTUS TE 526/527 3D	commercial wood frame
Template 5 250547 6	24 mm router bit / 30 mm collar ring (frame / door)
Template 5 251070 6	3/4" router bit / 1" collar ring

Combinations

TE 526/527 3D FZ
 TE 526/527 3D SZ
 TE 526/527 3D ST

Function range



Forced Entry Resistant



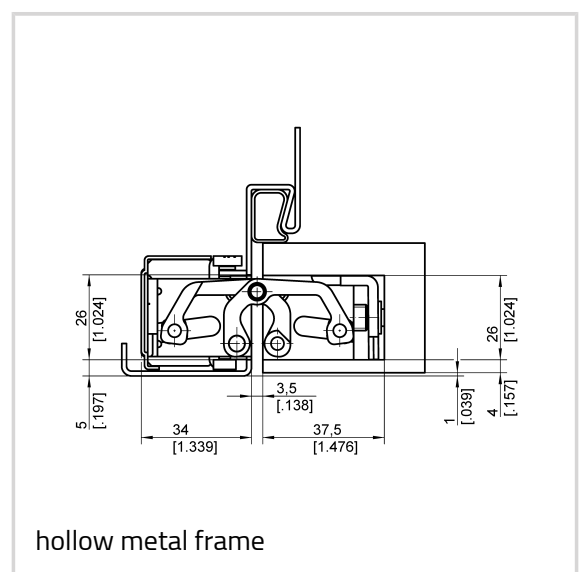
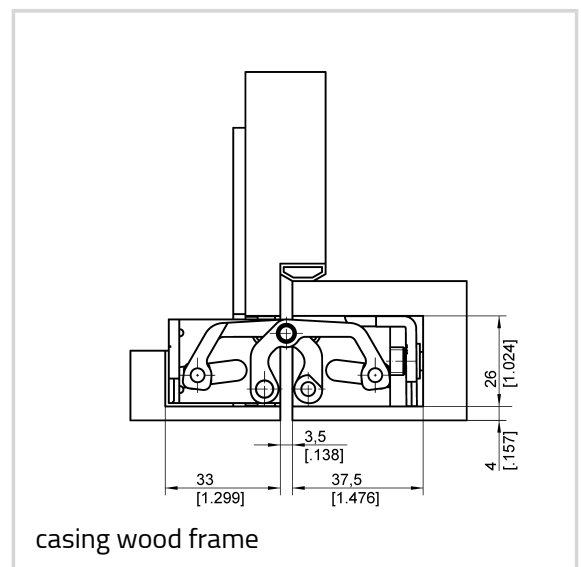
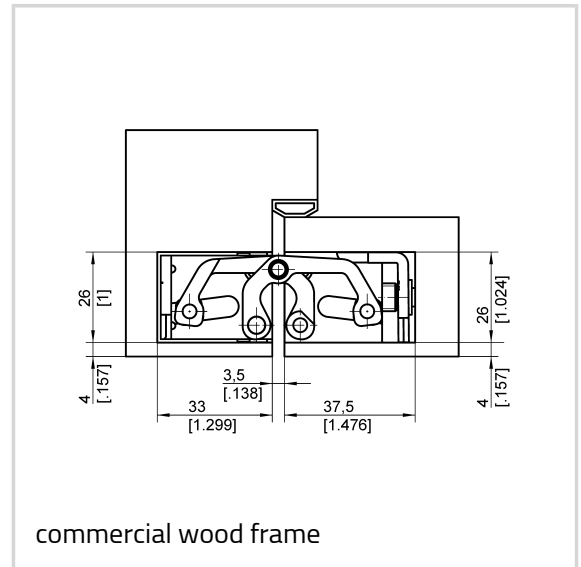
Fire Resistant



Smoke Resistant



Soundproof



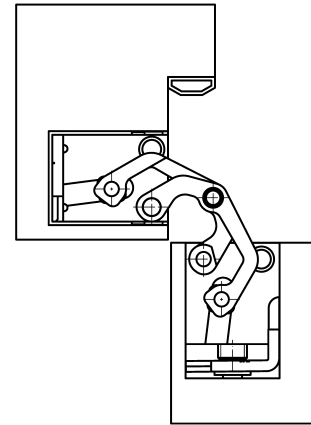
TECTUS - TE 526 3D

Item

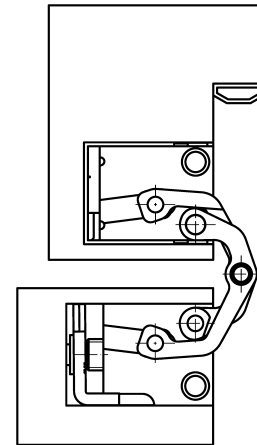
Finish(es)	Satin Stainless Steel (040)
OF-NR.	040
VPE	pack of 2
DIN	non-handed
Item No.	5 400561 0 04002
EAN	4015471110703

Finish(es)	pol. Stainless Steel (042)
OF-NR.	042
VPE	pack of 2
DIN	non-handed
Item No.	5 400561 0 04202
EAN	4015471120061

Finish(es)	colored (079)
OF-NR.	079
VPE	EUR-pallet
DIN	non-handed
Item No.	5 400561 0 07975
EAN	4015471124601



commercial wood frame 90°



commercial wood frame 180°