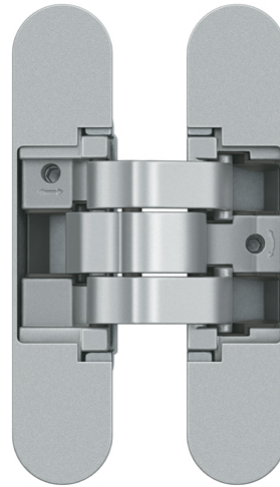


AN 161 3D FVZ 14/40

For residential interior doors with recessed frame facings

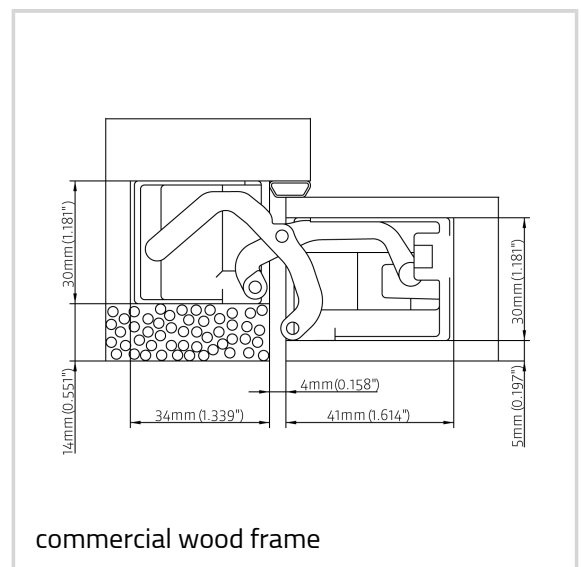
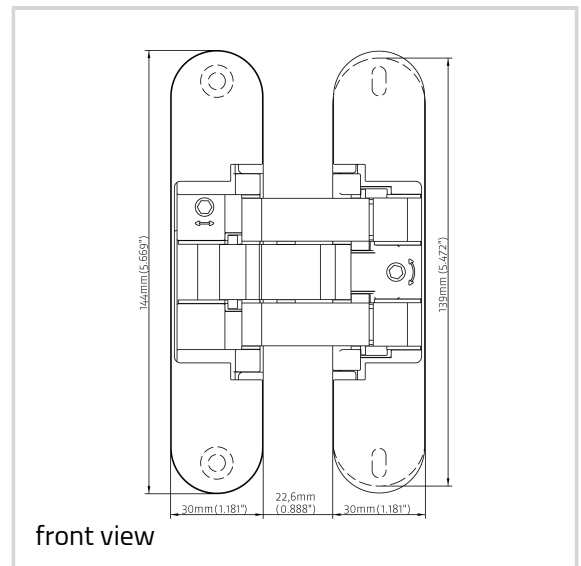


Product features

- Completely concealed hinge system
- For residential doors
- FVZ = for recessed frame facings
- Recessed frame facings up to 14.0 mm (0.551")
- Easily adjustable in three dimensions (side +/- 1.5 mm (0.059"), height +/- 2.5 mm (0.098"), compression +/- 1.0 mm (0.039"))
- For minimum door thickness of 40 mm (1.575")
- For wood and aluminum frames

Technical information

Detail	Value	
Load capacity	132.0 lbs	60.0 kg
Overall length	5.669 "	144.0 mm
Width (door part)	1.181 "	30.0 mm
Width (frame part)	1.181 "	30.0 mm
Router bit diameter		16.0 mm
Collar ring diameter		27.0 mm
Opening angle	180°	180°



ANSELMI - AN 161 3D FVZ 14/40

Note

The load capacity mentioned above refers to the use of 2 hinges per door leaf (900 x 2100 mm (35.433 x 82.677")).

Suggested screws:

Frame side: Countersunk head screw DIN 7505 A, Diameter 5.0 mm

Door side: Pan head screw DIN 7505 B, Diameter 4.0 mm

Alternatively, the routing can be carried out with a cutter diameter of 1/2" and a collar ring diameter of 1" for imperial templates.

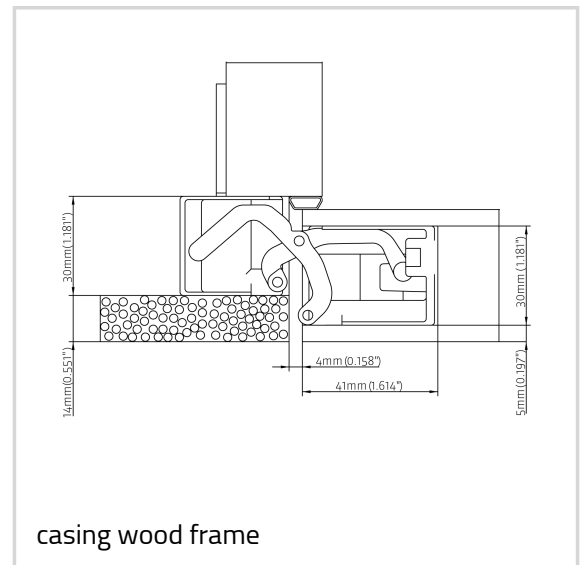
Suitable for

Universal milling frame

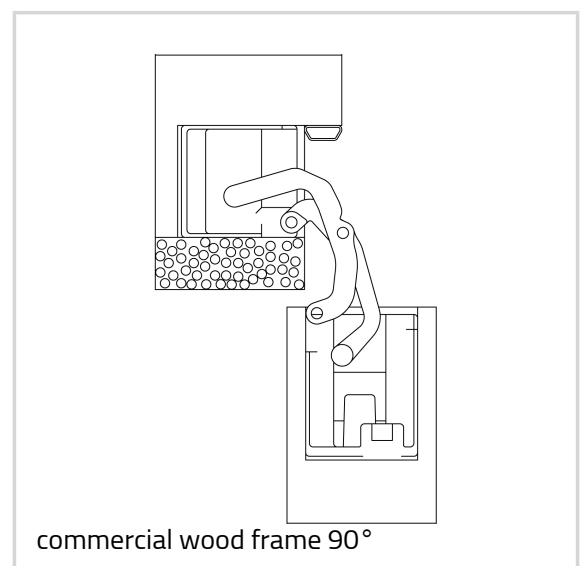
Template 5 251156 6

Item

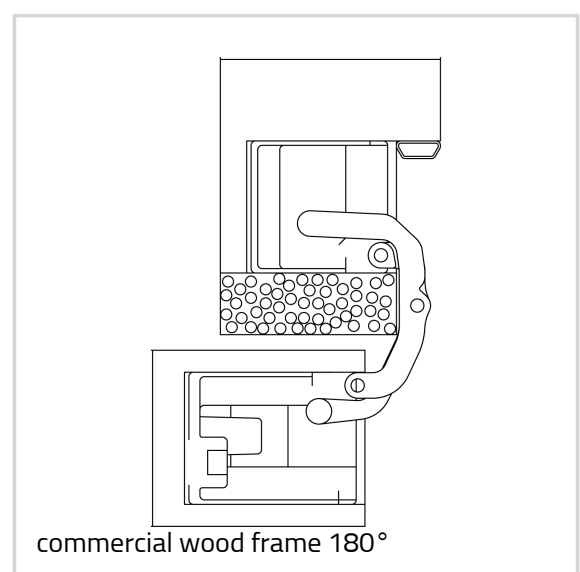
Finish(es)	Rustic Umber (AN 012)
OF-NR.	AN 012
VPE	pack of 2
DIN	non-handed
EAN	8059606382494
Finish(es)	Black (AN 018)
OF-NR.	AN 018
VPE	pack of 2
DIN	non-handed
EAN	8054608703926
Finish(es)	Aluminum Chrome (AN 036)
OF-NR.	AN 036
VPE	pack of 2
DIN	non-handed
EAN	8054608704008
Finish(es)	Satin Nickel (AN 044)
OF-NR.	AN 044
VPE	pack of 2



casing wood frame



commercial wood frame 90°



commercial wood frame 180°

ANSELMI - AN 161 3D FVZ 14/40

DIN	non-handed
EAN	8054608703933
Finish(es)	RAL 9016 Traffic White (AN 049)
OF-NR.	AN 049
VPE	pack of 2
DIN	non-handed
EAN	8054608703940